

**KAWA MOB COFFEE GRINDER #76**



# All the Santos coffee expertise in a compact professional grinder

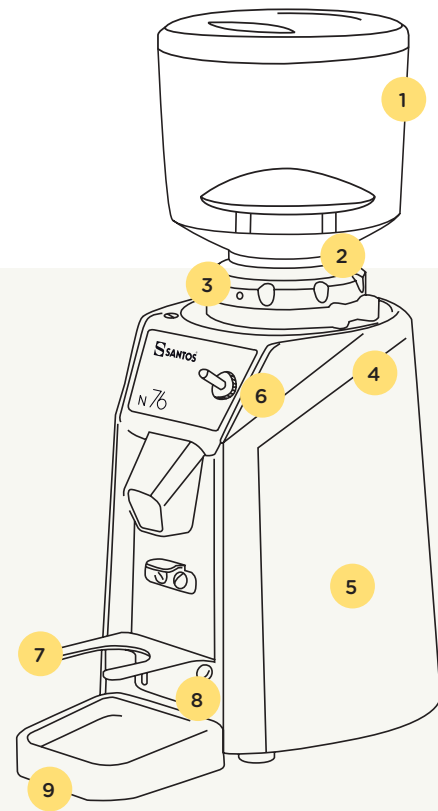
Dedicated to all coffee lovers, the new mobile coffee grinder #76 has been designed for brewing methods or grinding small quantities of coffee for cupping, competitions and demonstrations.

It is adapted to all types of filtrations – from Turkish to brew coffee- and it is extremely fast, dispensing 7g of ground coffee in 1.5 seconds.

70 YEARS  
experience

## Santos know-how

- Since 1954, Santos has manufactured its own grinding discs for a high quality grinding
- Specialist in silent grinders
- Dose regularity
- No coffee burning during grinding
- Antistatic system
- Easy adjustment and maintenance



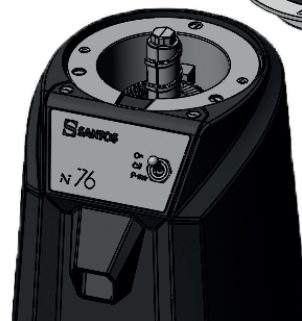
Silence

- |  |  |
|--|--|
| 1 <b>400g hopper</b> for coffee beans  | 5 <b>Powerful, reliable commercial motor.</b> 5-year warranty  |
| 2 <b>Hopper shutter</b>  | 6 <b>Switch for choosing</b> continuous dose or pulse function |
| 3 <b>Adjusting screw</b> for an easy handling (<0,02mm per graduation). Heat dissipation | 7 <b>Removable portafilter support</b>                         |
| 4 <b>Ø 54 mm Santos flat grinding discs.</b> High resistance, long lasting               | 8 <b>Adjustable fork</b>                                       |
|  | 9 <b>Removable drip tray</b>                                   |

## Easy maintenance and cleaning

**Quick access to the grinding area, while preserving the dose settings.**

- Easy cleaning of the grinding area
- Quick access to the clump crusher
- Easy replacement of the grinding discs



Quick access to the grinding area in less than one minute



Réf. : 00076



## Precise and quality grinding

**Extra fresh ground coffee:** no dispenser, coffee beans are ground on demand.

**Micrometric adjustment:** very precise adjustment scale for all type of grinding.

**Ø 54mm Santos flat burrs** to give you a perfect grinding.

## Two ways to dispense ground coffee

**Continuous dose,** to grind the quantity needed of coffee.

**Pulse function,** for a customizing adjustment of the dose.

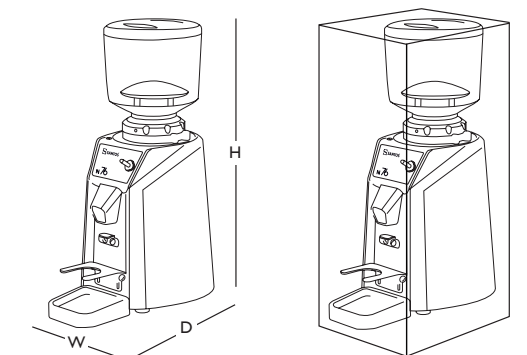
## Safety and standards

<b>In accordance with the following regulations</b>	Machinery directive 2006 / 42 / EC
	Electromagnetic compatibility 2014/30/EU
	"Low voltage" directive 2014 / 35 / EU
	RoHS directive 2011 / 65 / EU
	Regulation 10 / 2011 / EU (Plastic in contact with food)
	Regulation 1935 / 2004 / EC (contact with food)
<b>Harmonized European Standards</b>	EN ISO 12100: 2010
	EN 60204-1: 2018
	EN 60335-2-64: 2004 Comercial electrical kitchen machines
	CE Marking
<b>Electrical Safety</b>	Overcurrent protector
	All mechanicals parts are ground connected
	Appliances are 100% tested after assembly
<b>Thermal safety</b>	Motor protected by internal thermal detector
<b>Acoustic Safety</b>	Very Silent and powerful asynchronous motor

## Technical specifications

### Motor

Single phase:  
100-120 V-50/60 Hz-700 W - CE  
220-240 V-50/60 Hz-800 W - CE



### Appliance

D: 270 mm (11")  
W: 180 mm (7")  
H: 400 mm (16")

Net weight:  
7,6Kg (16.7lbs)

### Shipping box

D: 330 mm (13")  
W: 255 mm (10")  
H: 510 mm (20")

Packed weight:  
9 Kg (19.8 lbs)

**PRODUCT : 2-YEAR WARRANTY**  
**MOTOR : 5-YEAR**



**SANTOS "KAWA" - Coffee grinder #76**

From date: 09/2024  
from serial number: 1285243

