

COFFEE GRINDER I-GRIND #67



I-**N**NOVATION
I-**N**TELLIGENCE
I-**N**SPIRATION

An innovative grinder dedicated to specialty coffee

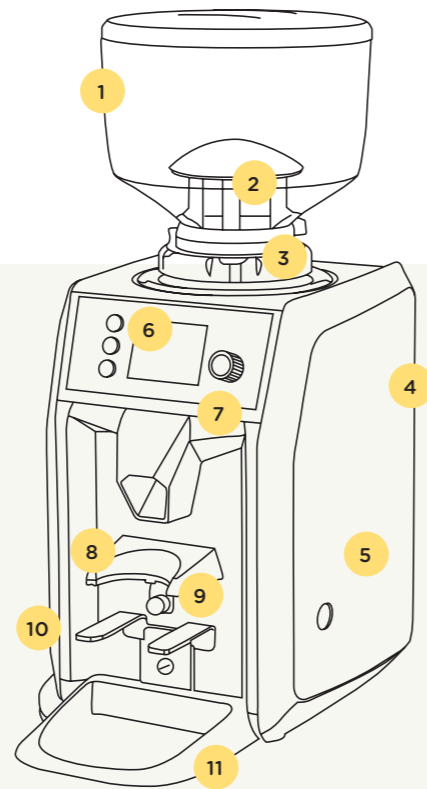
Exclusively equipped with a brushless motor, the I-GRIND coffee grinder #67 offers a wide range of speed variation, including slow grinding, preserving the aroma of your coffee.

Exclusive ! Create your recipes according to 3 parameters: grinding adjustment, motor speed and grinding time.

70 YEARS experience

Santos know how

- Since 1954, Santos has manufactured its own grinding discs for a high quality grinding
- Specialist in silent grinders
- Dose regularity
- No coffee burning during grinding
- Antistatic system
- Easy adjustment and maintenance



Brushless technology

Silence

- | | |
|--|--|
| <p>1 1kg (2,2lbs) hopper for coffee beans</p> <p>2 Hopper shutter</p> <p>3 Adjusting screw for an easy handling (<0,02 mm per graduation). Heat dissipation</p> <p>4 Ø 63,5 mm (2,5") Santos grinding discs. High resistance, long lasting</p> <p>5 Powerful, reliable commercial motor. 5-year warranty*</p> | <p>6 Integrated LCD display</p> <p>7 Multifunctional Turn&Push button for easier menu navigation</p> <p>8 Portafilter holder fork</p> <p>9 Detection of the filter holder. Automatic distribution of the dose of coffee</p> <p>10 Adjustable portafilter support</p> <p>11 Removable drip tray</p> |
|--|--|

Unleash your creativity with unlimited customization

Create unique recipes by configuring:

- 1 Grinding adjustment
- 2 Motor speed
- 3 Grinding time

Personalize your daily options:

Activating from 1 to 6 recipes, Stop & Go and pulse function, 7 logos to be assigned for recipes, etc.

Customize your interface:

Language, display of total and/or partial counters, brightness, standby timer, etc.



Slow grinding

Thanks to its powerful and silent exclusive Brushless motor, the I-Grind #67 offers a unique wide range of speed variation, including slow grinding and preserves the aroma of your coffee.

Easy to use

Quick access to the grinding area, in less than one minute: makes maintenance and cleaning easy, while preserving the dose settings. Easy access to the burrs and the clumpcrusher.

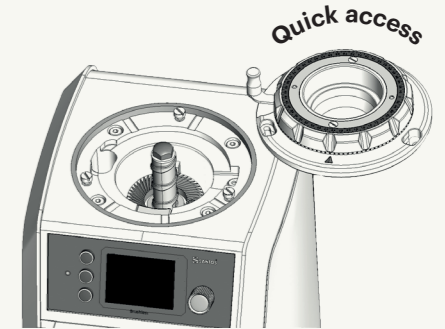
LCD display and multifunctional Turn & Push button: clear and simple customization of the grinder and recipes (dose settings, statistics, brightness, language, etc.).

Quality grinding

Consistent and precise dose and unimodal grinding

Extra fresh ground coffee: no dispenser, coffee beans are ground on demand

Santos manufactures its own grinding discs to give you a perfect grinding.



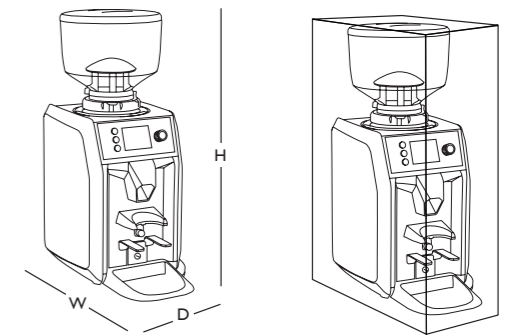
Safety and standards

In accordance with the following regulations	Machinery directive 2006 / 42 / EC
	Electromagnetic compatibility 2014 / 30 / EU
	"Low voltage" directive 2014 / 35 / EU
	RoHS directive 2011 / 65 / EU
	Regulation 10 / 2011 / EU (Plastic in contact with food)
Harmonized European Standards	Regulation 1935 / 2004 / EC (contact with food)
	EN ISO 12100: 2010
Electrical Safety	EN 60204-1: 2018
	EN 60335-2-64: 2004 Commercial electric kitchen machines
	CE Marking
Thermal Safety	All mechanical parts are ground connected
	Overcurrent protector
Acoustic Safety	Appliances are 100% tested after assembly
	Motor protected by internal thermal detector
Mechanical Safety	Very silent brushless motor
	Hopper presence detection

Technical specifications

Motor

Single phase:
100-240 V-50/60 Hz-1010 W - CE



Appliance

D: 362 mm (14")
W: 226 mm (8")
H: 520 mm (21")

Net weight:
11Kg (25lbs)

Shipping box

D: 390 mm (15")
W: 320 mm (12")
H: 670 mm (26")

Packed weight:
13.5 Kg (30lbs)

PRODUCT: 2-YEAR WARRANTY
MOTOR: 5-YEAR *(except electronic board)



SANTOS I-Grind coffee grinder #67

From date: 01/2024
From serial number: 1260628

