

COFFEE GRINDER #43

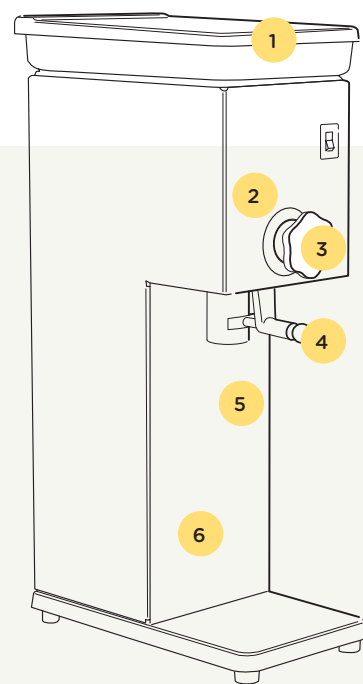


Silent and sturdy coffee shop grinder

Powerful and easy to use, this shop coffee grinder guarantees a high quality grinding.

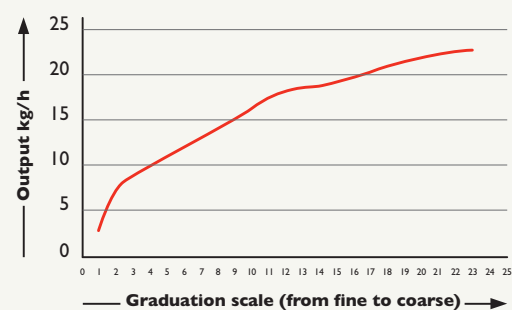
Its adjustable setting will allow you to choose the fineness of your grinding: from very fine to coarse.

Equipped with a bag holder, it accepts all types of bags from 250gr to 1kg. It is therefore ideal for roasters, zero waste grocery stores, supermarkets, cafes, etc.



- 1 1.7 kg (3.8lbs) hopper
- 2 Ø 63.5mm (2,5") grinding discs: high resistance, long lasting designed and manufactured by Santos for a high quality grinding
- 3 Precision grinding, from very fine to coarse. Easy to adjust.
- 4 Bag holder accepting bags from 250g to 1kg (1/2 pounds to 2 pounds) Maximum bag height: 360mm
- 5 Stainless steel body
- 6 Powerful asynchronous motor 5-year warranty

Output of the coffee grinder #43



Santos know how

- Since 1954, Santos manufactures its own grinding discs for a high quality grinding
- Specialist of silent grinders
- Dose regularity
- Not burning coffee while grinding
- Anti-static system
- Easy adjustment and maintenance

65 YEARS experience



Powerful and reliable

Powerful asynchronous and very silent motor.

Sturdy product, adapted to intensive use.

Quality grinding

Easily adjustable grinding settings: precise setting of the grinding fineness for all types of filtration.

Santos manufactures its own grinding discs to give you a perfect grinding, constant and fine.



Safety, Standards, Hygiene

In accordance with the following regulations:

- Machinery directive 2006 / 42 / EC
- Electromagnetic compatibility 2014 / 30 / EU
- "Low voltage" directive 2014 / 35 / EU

- RoHS directive 2011 / 65 / EU
- Regulation 1935 / 2004 / EC (contact with food)
- Regulation 10 / 2011 / EU (Plastic in contact with food)

Harmonized European Standards:

- EN ISO 12100: 2010
- EN 60204-1 + A1: 2009
- EN 60335-2-64: 2004 Commercial electric kitchen machines
- CE Marking

Thermal Safety: Motor protected by internal thermal detector

Acoustic Safety: Very silent and powerful asynchronous motor

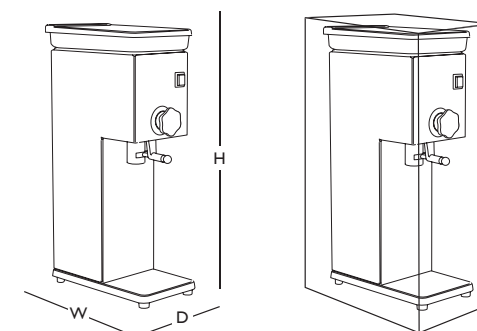
Hygiene: All removable parts can be put in a dishwasher or easily cleaned with hot soapy water.

PRODUCT: 2 YEAR WARRANTY | MOTOR: 5 YEARS

Technical specifications

Motor
Single phase:
110-120 V - 50/60 Hz - 650 W - CE
220-240 V - 50/60 Hz - 600 W - CE

Speed:
1500 rpm (50Hz)
1800 rpm (60Hz)



Appliance
D: 190 mm (7.5")
W: 335 mm (14")
H: 690 mm (27")
Net weight:
20,6 Kg (44 lbs)

Shipping Box
D: 280 mm (11")
W: 390 mm (15")
H: 760 mm (30")
Packed weight:
22 Kg (48 lbs)

